

SAVOTTA



 READ BEFORE USE!

STOVE INSTRUCTIONS AND WARNINGS

ENG: PAGES 2-9
(Ver 1.0)

 LUE ENNEN KÄYTTÖÄ!

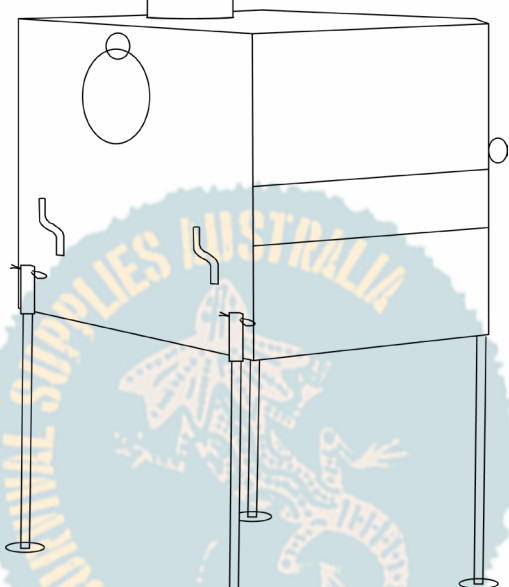
KAMIINAN KÄYTTÖOHJEET JA VAROITUKSET

FIN: PAGES 10-17
(Ver 1.1)

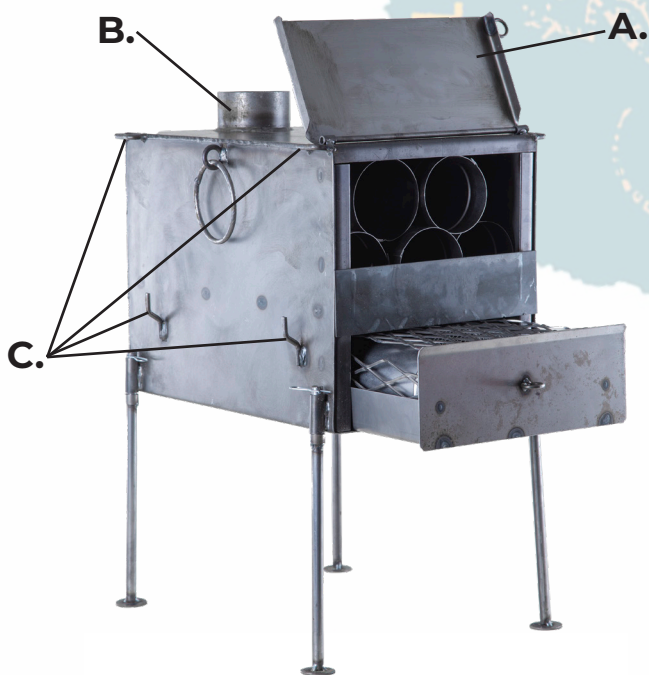
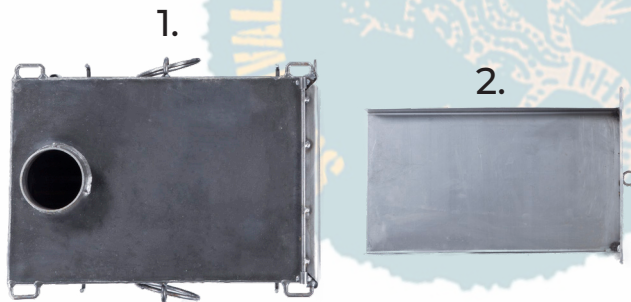
 VOR BENUTZUNG LESEN!

ZELTOFEN BEDIENUNGSANLEITUNG UND WARNHINWEISE

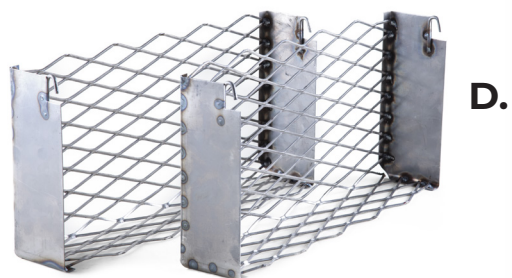
GER: PAGES 18-25
(Ver 1.1)



1. STOVE BODY
2. ASH PAN
3. LEGS AND R PINS
4. CHIMNEY PIECES
5. SPARK ARRESTOR



- A. STOVE DOOR
- B. CHIMNEY CONNECTOR
- C. STONE RACK ATTACHMENT HOOKS
- D. STONE RACK (SEPARATELY SOLD ACCESSORY FOR SAUNA USE)





WARNINGS – READ BEFORE USE!



Improper use of this stove can lead to serious injuries and/or damage. Read and understand these warnings and instructions before using the stove. Any damages caused due to failure to follow these instructions is considered an user error and are not covered by the warranty. Always be aware of and follow your local legislation regarding use of wood burning stoves, these warnings and instructions do not in any way override laws and regulations.

1. Never leave the stove unattended while there is burning wood or hot embers inside it! Failure to this may result in considerable fire damaged, injury or death.
2. Never attempt to use the stove improperly or incompletely assembled, such misuse may cause serious damage and injury. Always follow these instructions and warnings fully when using the stove.
3. Never operate the stove if any part of it is damaged! For instructions on how to proceed if your stove is damaged consult your local retailer or Savotta directly.
4. Do not burn any other fuels except for natural, high quality seasoned firewood in this stove. Never use any flammable liquids in or near the stove.
5. Always use extreme caution in close proximity to and when operating the hot stove. As the stove operator you must always make sure children, animals and other people do not hurt themselves on the hot stove.
6. To minimize tent damage from falling sparks the chimney top should extend 100 cm above the chimney port of the tent. We recommend burning hardwood to minimize the risk of sparks. Spark and ember burns (small holes) on tent ceilings are completely normal and unavoidable, but easily repairable. The warranty does not cover any damage to any property from sparks or embers from the stove or chimney.
7. Sparks, embers, flames and heat from the stove may light nearby material on fire, remove any easily combustible material from near the stove and chimney before use. Pay extra attention to the area in front of the stove door, all easily combustible material should be removed from 50 cm in front of the stove. It is through the open door (during adding of firewood or checking on the fire) that flames, embers and heat can cause a serious fire hazard if there is easily combustible material in front of the stove.
8. Never empty the ash pan on or near anything flammable and make sure to dispose of the ashes in a safe way so they do not cause a fire hazard.
9. Always keep a generous bucket of water or a fire extinguisher within immediate reach of the stove is hot, be prepared to put out any fire if necessary!
10. The stove (and stones if using the stove in a sauna tent) are extremely hot when heated and will cause injury if touched! Never touch any part of the stove when it is hot and remember that it will stay hot for up to an hour or more even after the last embers have burned out. Let the stove cool off completely before disassembly and maintenance!
11. The stove requires regular maintenance and proper storage. It is not designed for prolonged continuous use. It should have the ash pan emptied, be disassembled, cleaned and serviced between uses to prevent damage and minimize wear. If proper maintenance and storage is neglected the stove may suffer damage and when operated cause serious injury to the user and bystanders.
12. The stove has many sharp corners and cut metal edges which can cut and otherwise cause injury if handled improperly. Be careful and wear protective handwear (leather palm working gloves or similar) when handling the stove during transport, assembly, use, disassembly, maintenance and storage.
13. Never attempt to modify the stove in any way! A modified stove can be a serious safety hazard and any modifications to the stove immediately void the warranty.
14. In sauna use: do not use this stove as a sauna stove with any other structure or tent except Savotta sauna tents. Only use commercial sauna stones sold for sauna use, improper stones may cause serious injuries to the users. Be extremely careful when throwing water on the hot rocks as the evaporating steam can cause severe burns to skin and body.

INSTRUCTIONS – PREPARATIONS AND ASSEMBLY

This stove is designed for use with Savotta tents only. This stove should never be used indoors. Read both these instructions and the warnings before use. If used as a sauna stove also read the instructions for sauna use.

1. Before assembling and using the stove beware of hazards:
 - Dry grass and undergrowth near the stove (fire hazard).
 - Trees and branches near the chimney (fire hazard).
 - Uneven ground (stove or users may trip and fall).
2. Inspect the stove and its components to make sure you have everything you need and everything is as it should be, any damaged pieces must be replaced or properly repaired before use. Using a damaged or improperly repaired stove may cause serious injury.
3. Attach the four legs to the stove body using the R-pins. Make sure the legs are properly secured, otherwise the stove may collapse during use and cause serious injury.
4. Check and make sure the stove is standing firmly on an even, hard surface. Be especially careful when using the stove on snow or ice, as these will melt from the heat which can lead to the stove collapsing. The stove must stand straight for it to work properly. If the stove is standing at an angle, on soft ground or wobbles it may collapse during use, light nearby material on fire and cause serious injury.
5. Make sure there are no obstructions inside the chimney pieces. Remove any foreign objects or material if present. A blocked chimney does not ventilate the smoke properly and instead leak it into the tent. Smoke and carbon monoxide inhalation can cause respiratory problems and serious, even fatal injuries.
6. Assemble the chimney and attach it to the stove body. Make sure all pieces are properly interlocking, otherwise the chimney may collapse during use and cause serious injury. The edges of the chimney pieces can be very sharp, be extra careful when handling these to prevent getting cut.
7. Prepare a bucket or two of water and/or a fire extinguisher and/or a fire blanket for use in case sparks, heat or flames from the stove or chimney cause an accidental fire. Know how to use these and be, at all times, prepared to do so!
8. Open the ash pan a little bit, enough to fit your finger between the ash pan plate and body of the stove. This is to ensure sufficient airflow to the stove.

INSTRUCTIONS – FIRE STARTING AND UPKEEP

After the preparations are properly completed you are ready to heat up the stove. For this you will need a suitable amount or properly seasoned firewood (preferably hardwood), prepared in lengths of 30-35 cm with a diameter of 5-10 cm.

The amount of firewood you need depends on for how long and how hot you want to keep the fire burning. The following are rough guidelines (you will learn as you get experienced with using the stove):

- A 100 x 50 cm pile of 35 cm long firewood is enough to heat the stove for 9 hours to keep a field camp tent warm overnight.
- A 50 x 50 cm pile of 35 cm long firewood is enough to heat the stove + stones for one bathing session in a sauna tent.
- If you are unsure: prepare some extra firewood just in case! Better to have too much than not enough when you need it.
- How fast the wood burns depends on how much airflow it gets through the ash pan. Adjusting the ash pan for more or less airflow is a skill you will learn as you get experienced with the stove. If the fire gets too much air it burns too hot and fast. If it gets too little air it may not burn at all.

Important: The first time you use the stove must be done completely outdoors (not inside a tent) to burn off any storage oil residue. It can take up to an hour to completely burn off all the oil residues.

1. Add small one-two-three fingers thick pieces of dry, seasoned firewood (preferably hardwood) inside the stove on top of the grate. 1/3 to 2/3 of the interior height should be full of loosely arranged pieces of firewood.
2. Open the ash pan a little bit, so that there is a 1-2 cm opening between it and the stove body. This is to let air into the stove.
3. Ignite the firewood with proper kindling such as birch bark. Do not use gasoline or any other flammable liquids. Be extremely careful when igniting the wood so as not to burn yourself!
4. Keep the stove door closed when the fire is burning, open it only to check on the fire and to add firewood.
5. If the fire seems to burn weakly: adjust the ash pan to allow more airflow into the stove.
6. If the fire seems to burn with too much power: adjust the ash pan to allow less airflow into the stove.
7. Keep adding firewood at suitable intervals (Depending on the wood you use this can be anything from 10 to 30 minutes).
8. Never fill more than 2/3 of the interior height of the stove with firewood as this may obstruct the chimney which may lead to the fire not burning properly or smoke blowing out through the door or ash pan of the stove.
9. Be extremely careful when opening the stove door as flames may shoot out through the open door! Always use a piece of firewood or similar 20-30 cm long instrument to open the stove door when the stove is hot. Keep the rest of your body at an arms length from the stove when opening the door to avoid being burned by the fire.
10. When the stove door is open some smoke will most probably blow out through it and into the tent. This is perfectly normal and should stop when the door is closed.
 - If smoke does continue to blow through the sides of the door when it is closed you must first check that the chimney is not blocked by excess wood inside the stove. If the smoking does not stop evacuate the tent immediately to avoid inhaling smoke and let the fire burn out and the stove cool off completely (this can take an hour or more) before disassembly and inspecting if the chimney is blocked.
11. During and after use: Inspect the surrounding area near the stove both inside and outside the tent for any hot embers or smouldering material and extinguish these with water to prevent accidental fires.
12. After use: Let the stove cool off completely before touching it for disassembly and maintenance after use. This can take up to one hour or more (or four hours or more if used as a sauna tent with stones on top). Be sure the stove has cooled off before touching it or any part of it!

SAUNA USE

There are some specific instructions you need to follow and things to take into consideration when using the stove in a sauna tent. The stone rack accessory is needed when using the stove as a sauna stove, do not attempt to use the stove for sauna use without the stone rack as this may cause serious injury as the stones are not properly supported and held in place!

1. Read the warnings and instructions of the sauna tent before use!
2. Read all previous and following warnings and instructions of the stove itself before use!
3. This stove is not designed for sauna use with any other structures other than Savotta tents. Do not use this stove as a sauna stove with anything else than a genuine Savotta sauna tent!
4. Sauna use of the stove includes piling approx. 20 kg of stones and throwing water on it. These actions will, however carefully done, cause surface rust and deformation of the stoves structure. The stove will never be the same again after sauna use, this is perfectly normal but an important thing to take into consideration and understand.
5. Sauna use will certainly deform the stove in some way (typically the top of the stove will buckle inwards under the weight from the stones) which will make it less suitable for use as a cooking surface. Take this into consideration if you wish to use one stove for both sauna use and for cooking food and heating a regular field camp tent.
6. Assemble and prepare the stove as per the assembly and preparations instructions. Attach the stone rack to the stove body:
 - Add the stone racks to the sides of the stove by attaching them to the stone rack attachment hooks on the sides of the stove body.
 - Be very careful and wear protective gloves (leather palm work gloves or similar) when handling the stone rack as the edges and corners may be very sharp. Do not cut yourself!
 - Inspect the stone racks to make sure they are properly attached. Improperly attached stone racks may fall off in use and cause serious injuries to the sauna users.
7. Only use commercially purchased sauna stones, this way you can be sure that the stones you are using are suitable and safe. The wrong type of stones may not heat up properly and worse still may split from the heat and possible flying shrapnel may cause injuries. We recommend split face olivine diabase stones such as "Harvia sauna stones".
8. We recommend using approx. 20 kg of stones on the stove, never use over 30 kg as this can damage the stove and the large amount of stones may be unsafe due to stones falling off the stove. The exact weight of stones needed does vary depending on the size, shape and type of stones used.
9. Try to cover as much of the sides and top of the stove with stones as possible for the best effect.
 - Beware not to block the opening of the stove door. It should be able to swing fully open and rest in the up position. We recommend you keep the stove door open when piling the rocks as this will clearly show you how much rocks you can pile near the front of the stove.
10. Be very careful when piling the stones on the stove to make sure none of them can fall off in use.
11. If a stone falls off the stove when using it do not pick it up as it is extremely hot. Cool it off immediately by pouring a generous amount of water on it. If left uncooled you may accidentally step on it, which can cause serious burn injuries.
12. The stones are extremely hot when heated and will cause serious injury if touched. Never touch the stones, stove or stove chimney when bathing in a sauna tent.
13. When throwing water on the hot rocks be extremely careful to keep your hand, arm and body away from the path of the hot steam. The hot steam can cause severe burns to skin and body.
14. Never use salt water on the rocks and stove. Salt water will corrode and damage the stove. For warranty claims this is considered a user error and as such damage by salt water is not covered by our warranty.
15. After use: It can take up to four hours or more for the complete stove and all the stones to cool off after use, never handle any part of the stove or stones while they are still hot.

AFTER USE – DISASSEMBLY, MAINTENANCE AND STORAGE

Follow these instructions carefully to ensure user safety and the longest possible service life for your stove.

1. Make absolutely sure the stove and all parts of it have cooled off completely before touching it!
2. Lift the chimney off the stove and dismantle it carefully without the use of excessive force. Use of excessive force may damage the chimney pieces. Be very careful as the edges of the chimney pieces can be cutting sharp! We recommend using protective gloves (leather palm work gloves or similar) to avoid injuries.
3. If the chimney pieces are damaged with bent edges you can try to carefully bend them back into shape with pliers.
4. Wipe off any dirt and moisture from the chimney pieces. If the inside of the chimney pieces seem excessively sooty you can brush them clean. For brushing the inside of the chimney pieces you can use a toilet brush, this will leave the brush sooty so do not use it to brush anything besides the chimney. It is now your stove chimney brush.
5. Empty out all the ashes from the stove by taking out the ash pan and shaking the stove vigorously with the ash pan opening and door facing down.
6. Wipe off any dirt and moisture from the exterior and interior of the stove. You do not need to brush off all the soot from the inside after each use, but we recommend you do this at regular intervals such as between every ten uses.
7. The most important thing is to make sure the stove and chimney pieces are completely dry as moisture will rust and corrode the steel.
8. Always store the stove in a dry place indoors at room temperature to avoid rust and damage caused by moisture. Failure to properly store the stove is considered an user error and any damage caused by improper storage is not covered by the warranty.
9. No matter how well you clean and maintain your stove it will eventually start showing surface rust, dents and deformations. These are all perfectly normal signs of use and do not affect the function of the stove. This type of wear is not covered by our warranty.
10. Surface rust can easily be brushed off with steel wool or a brush. To aid in rust removal we recommend applying a light coat of all natural food grade oil (we recommend linseed oil) to the rust spots before brushing them. Remember to burn off any oil residue before taking the stove back into regular use if you decide to use oil when brushing off surface rust.
11. For long term storage you can apply a light layer of linseed oil to the stove and chimney. If you do this: remember to follow the instructions for burning off storage oil before taking the stove back into regular use after taking it out of long term storage! And remember, the oily stove will stain anything it gets into contact with, so be careful where you keep it.

GOOD TO KNOW

1. Colour changes: Although nice and shiny when new the stove will change colour when heated and pretty quickly start looking quite rough. This is perfectly normal and of no harm.
2. Deformation: The stove will deform in use, most commonly the top will buckle down a bit. This especially happens when the stove is used in sauna tent, with heavy rocks laid on top. This is perfectly normal, don't be alarmed when that happens.
3. Surface rust: Even when cleaned and dried perfectly after each use you will most probably start seeing slight surface rust around the stove at some point. This is perfectly normal and of no harm, these can be scrubbed off with steel wool if you so wish.
4. R-pins: these little things holding the legs in place. If lost you can find suitable replacements at most hardware stores.
5. Tent damage: no matter how careful you are there will always be small embers and sparks that fly out of the chimney and land on the tent. These sparks and embers will burn small holes in the tent. This is perfectly normal and unavoidable wear and our warranty does not cover any such damage to tents or any other materiel. To take care of these we offer tent repair kits for our tents!



TECHNICAL SPECS AND INFO

Material: Steel

- Not stainless steel! This stove requires proper use and maintenance to prevent corrosion damage. Spots of surface rust will appear on even the best maintained stove, this is perfectly normal.

Weight: 18,5 kg (including chimney)

- 20 kg (with separate stone racks attached)

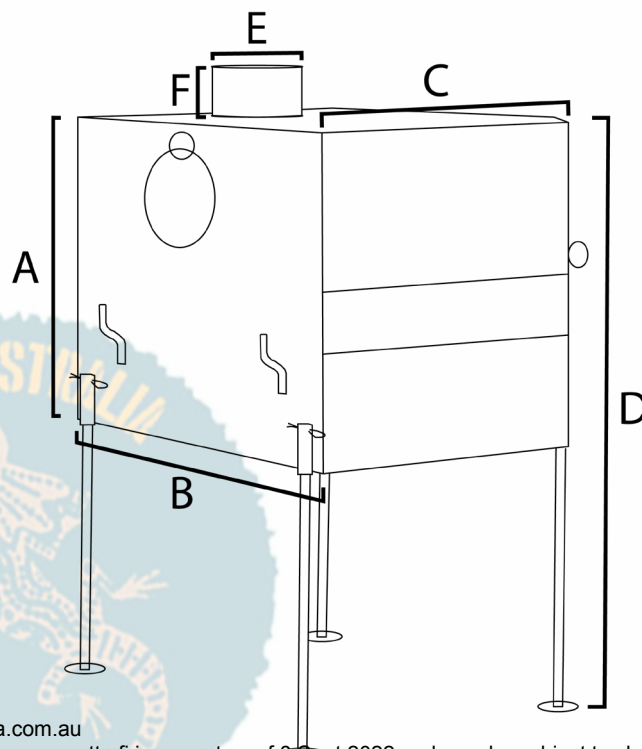
Dimensions:

- A. 30 cm (stove body height excl. chimney connector)
- B. 42 cm (stove body length excl. ash pan handle)
 - i. 46 cm incl. ash pan handle
- C. 28 cm (stove body width excl. stone rack attachment hooks)
 - i. 33 cm incl. stone rack attachment hooks
 - ii. 44 cm with stone racks attached
- D. 55 cm (height with legs attached excl. chimney connector)
- E. 8,5 cm (chimney port width)
- F. 5 cm (chimney connector height)

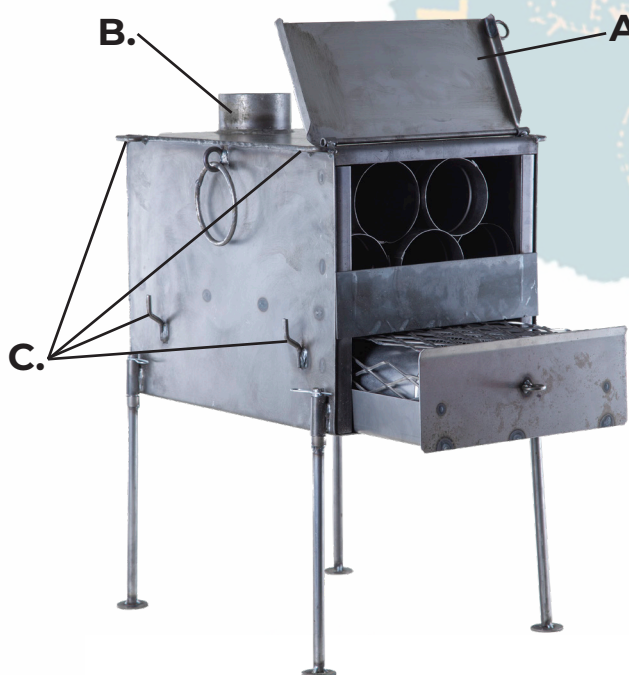
- Fire chamber opening: 23 x 10 cm (W x H)
- Fire chamber: 27 x 17 x 41 cm (W x H x D)
- Chimney piece: 8,5 x 37-40 cm (varies slightly)
- Complete chimney: 240 cm (6x regular chimney piece and 1x spark arrestor)
 - Height from ground to top of chimney when assembled on the stove: 295 cm
 - The chimney should extend at least 100 cm above the chimney port on the tent to minimize spark damage to the tent. Depending on the tent model you may need extra chimney pieces (available separately from Savotta):
 - FDF 10 – no additional chimney pieces required
 - FDF 10-JSP – requires one additional chimney pieces
 - FDF 20 – requires two additional chimney pieces
 - FDF 20-HQ – requires three additional chimney pieces
 - Hiisi 2 – no additional chimney pieces required
 - Hiisi 4 – no additional chimney pieces required
 - Hawu 4 – no additional chimney pieces required
 - Hawu 8 – no additional chimney pieces required

Note that dimensions may vary a bit between individual stoves and production runs.

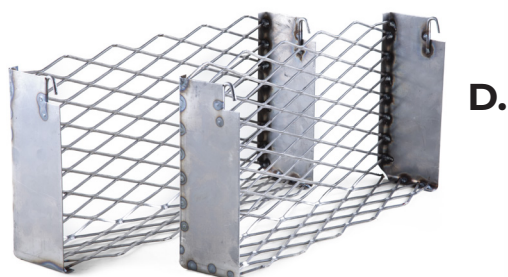
Storage oil: the stove comes oiled with a light coat of linseed oil to protect it during transport and storage. This oil must be cleaned and burned off outdoors per instructions before using the stove in a tent!



1. KAMIINAN RUNKO
2. TUHKALUUKKU
3. JALAT JA R-SOKAT
4. SAVUPIIPUN OSAT
5. KIPINÄSUOJA



- A. TULIPESÄN LUUKKU
- B. SAVUPIIPUN KIIINNIKE
- C. KIVIRITILÖIDEN KIINNITYSKOUKUT
- D. KIVIRITILÄT (ERIKSEEN MYYTÄVÄ LISÄTARVIKE KIUASKÄYTTÖÖN)





VAROITUKSET – LUE ENNEN KÄYTTÖÄ!



Tämän kamiinan väärinkäyttö voi johtaa vakaviin vammoihin ja/tai vahinkoihin. Lue ja ymmärrä nämä varoitukset ja ohjeet ennen kamiinan käyttöä. Näiden varoitusten ja ohjeiden seuraamatta jättämisestä johtuvat vahingot määritellään käyttäjävyrheeksi eivätkä kuulu takuun piiriin. Noudata aina paikallisia lakeja ja määräyksiä.

1. Älä ikinä jätä kuumaa kamiinaa vartioimatta! Vartioimatta jätetty kamiina voi aiheuttaa tulipalon, vakavia vammoja ja muita vahinkoja.
2. Älä ikinä käytä kamiinaa näiden ohjeiden vastaisesti tai väärin koottuna. Väärinkäyttö voi johtaa vakaviin vammoihin ja vahinkoihin. Noudata näitä varoituksia ja ohjeita aina kamiinaa käytettäessä.
3. Älä käytä kamiinaa, mikäli se tai jokin sen osa on vioittunut tai vahingoittunut! Jos havaitset vian tai vaurion, ota yhteyttä jälleenmyyjääsi jolta kamiina on hankittu tai suoraan Savottaan ja odota lisäohjeita.
4. Polta kamiinassa vain laadukasta polttopuuta. Älä ikinä käytä helposti syttyviä nesteitä kamiinan sytytykseen tai polttoaineena, äläkä säilytä niitä kamiinan välittömässä läheisyydessä.
5. Noudata aina äärimmäistä varovaisuutta ja vastuullisuutta kuumien kamiinan läheisyydessä ja sitä käytettäessä. Kamiinan käyttäjän vastuulla on huolehtia myös siitä, että kamiina ei aiheuta vaaratilanteita sivullisille tai eläimille.
6. Kamiinan savupiipun tulisi ylittää vähintään 100 cm teltan katon yläpuolelle siinä kohdassa, jossa kamiinan savupiippu läpäisee telttakankaan. Tämä vähentää savupiipusta tulleiden kipinöiden aiheuttamia polttamia teltan katossa. Huom. Vaikka olet kuinka varovainen niin teltan katon reikiintymiseltä ei voi välttyä. Kipinöiden polttamat reiät telttakankaassa ovat luonnollista kulumaa eikä takuumme täten kata niitä.
7. Poista tulenarka materiaali kamiinan läheisyydestä, etenkin tulipesän luukun etupuolelta 50 cm matkalta. Kuumuus, kipinät, kekäleet ja liekit voivat sytyttää helposti syttyviä materiaaleja kamiinan läheisyydessä, etenkin sen etupuolella tulipesän luukua avatessa.
8. Älä tyhjennä kuumaa tuhkaa helposti syttyvän materiaalin lähelle tai päälle. Käsittele kuumaa tuhkaa turvallisesti niin, ettei siitä aiheudu tulipalovaaraa.
9. Pidä aina ensisammutusvälineitä (vesiämpäri, sammutin, sammutuspeite) välittömästi saatavilla ja ole valmis käyttämään näitä mahdollisen tulipalon tapahtuessa.
10. Kamiina ja sen osat kumentuvat äärimmäisen kuumiksi käytön aikana ja pysyvät kuumina myös pitkään, jopa tuntien ajan käytön jälkeen. Älä ikinä koske kuumaan kamiinaan paljaalla iholla, vaan anna kamiinan jäähtyä kokonaan ennen purkua ja puhdistusta!
11. Kamiina vaatii käytönjälkeistä huoltoa ja oikeanlaista säilytystä, joten noudata huolto- ja säilytysohjeita. Väärin huollettu ja/tai säilytetty kamiina voi vahingoittua ja aiheuttaa vaaratilanteita käyttäjälleen ja sivullisille.
12. Kamiinassa on monta terävää kulmaa ja kohtaa, jotka voivat aiheuttaa naarmuja/viiltoja kamiinaa käsiteltäessä. Käsittele kamiinaa aina äärimmäisellä huolellisuudella. Suosittelemme käyttämään suojaavia käsineitä (esim. nahkavahvisteiset työhansikkaat).
13. Älä ikinä muokkaa kamiinaa millään tavoin! Muokkaukset voivat aiheuttaa vakavia vaaratilanteita.
14. Saunatelttakäytössä: Älä käytä tätä kamiinaa kiukaana missään muussa tilassa paitsi Savotan saunateltoissa. Käytä kiuaskivinä vain kaupallisesti hankittuja kiuaskäyttöön tarkoitettuja kiviä. Varo kuumaa höyryä, kun heität löylyä. Höyry voi aiheuttaa vakavia palovammoja.

OHJEET – VALMISTELUT JA KÄYTTÖÖNOTTO

Tätä kamiinaa kuuluu käyttää vain Savotta-telttojen kanssa. Kamiinaa ei kuulu ikinä käyttää sisätiloissa. Lue kaikki ohjeet ja varoitukset ennen käyttöä. Jos kamiinaa käytetään saunateltan kiukaana, lue myös saunakäyttöä koskeva osio ennen käyttöä.

1. Ennen kokoamista ja käyttöä huomioi mahdolliset vaarat ja riskit:
 - Kuiva kasvillisuus kamiinan läheisyydessä (tulipalovaara)
 - Puut ja oksat savupiipun läheisyydessä (tulipalovaara)
 - Epätasainen tai upottava maa (kamiina tai käyttäjät voivat kaatua)
2. Tutki kamiina ja sen komponentit varmistaaksesi, että kaikki osat löytyvät ja varmistu, että mikään osa ei ole vahingoittunut. Vahingoittuneet tai vialliset osat tulee vaihtaa ehjiin tai korjata ohjeistuksen mukaisesti ennen käyttöä. Vahingoittuneiden tai viallisten osien käyttö on vakava vaaratekijä.
3. Kiinnitä kamiinan neljä jalkaa runkoon R-sokkia käyttäen. Varmista, että jalat ovat tukevasti kiinni, muuten kamiina voi kaatua käytön aikana ja aiheuttaa vakavia vammoja ja vahinkoja.
4. Varmista, että kamiina seisoo tukevasti ja suorana tasaisella ja tukevalla alustalla. Ole erityisen huolellinen ja varovainen, jos käytät kamiinaa lumen tai jään päällä. Nämä sulavat käytön aikana, jolloin kamiina vajoaa ja voi kaatua.
5. Tarkista, että savupiipun osissa ei ole mitään tukkeita ja ne ovat puhtaat irtonoesta. Tukkeutunut tai huonosti vetävä savupiippu voi aiheuttaa savun ja palokaasujen vuotamista teltan sisälle. Savukaasujen hengittäminen voi aiheuttaa vakavia hengitysvaivoja. Häkämyrkytys voi pahimmassa tapauksessa johtaa kuolemaan.
6. Kasaa savupiippu ja kiinnitä se kamiinan runkoon. Varmista, että kaikki osat ovat tukevasti ja oikein liitettyjä toisiinsa. Muutoin savupiippu voi käytön aikana hajota tai kaatua, joka voi johtaa tulipaloihin tai muihin vakaviin vahinkoihin ja vammoihin. Savupiipun kappaleiden reunat voivat olla erittäin teräviä. Käsittele näitä varovasti välttääksesi naarmut ja haavat.
7. Valmistele vesiämpäri tai kaksi ja/tai sammutin ja/tai sammutuspeite käytettäväksi mahdollisen tulipalon syttyessä. Varmista, että osaat käyttää näitä ja ole valmis tekemään niin tarpeen vaatiessa!
8. Avaa tuhkaluukku pienen matkaa, niin että sormenpää mahtuu tuhkaluukun ja kamiinan rungon väliin jäävään rakoon. Tulipesän ottoilma tulee tuhkaluukun kautta ja sen sopiva virtaus on kriittisen tärkeää kamiinan toimivuudelle.

OHJEET – TULENTEKO JA -YLLÄPITO

Kun valmistelut on suoritettu, olet valmis varsinaiseen käyttöön eli kamiinan lämmitykseen. Tähän tarvitaan riittävä määrä laadukasta polttopuuta, jotka on valmisteltu noin 30-35 cm pitkiä klapeiksi, ja joiden halkaisija on noin 5-10 cm.

Tarvittavan polttopuun määrä riippuu siitä kauanko ja kuinka kuumana haluat kamiinan pitää:

- 100 x 50 cm kasa 35 cm pitkiä klapeja riittää pitämään majoiteteltan lämpimänä yhden yön.
- 50 x 50 cm kasa 35 cm pitkiä klapeja riittää lämmittämään kamiinan kivineen yhtä saunomissessiota varten saunatelttäkäytössä.
- Jos olet epävarma, valmistele vähän ylimääräistä puuta! Parempi liikaa kuin liian vähän.
- Puun palonopeus riippuu pitkälti siitä, kuinka paljon ottoilmaa tulipesä saa. Tätä säädellään tuhkaluukkuun avaamalla ja sulkemalla ja se on taito, jonka oppii kokemuksen myötä. Älä polta kamiinaa turhaan liian kuumana!

Tärkeää: Ensimmäinen lämmityskerta tulee suorittaa kokonaan ulkotiloissa (ei teltassa). Kamiinan pinnassa on pellavaöljysively varastointia varten. Pyyhi kamiina mahdollisimman kuivaksi ja kuumenna sitä noin tunnin ajan ulkotiloissa varmistaaksesi, että öljy on palanut pois.

1. Lado tulipesään arinan päälle ilmastavasti noin sormenpaksuisia ja sitä vähän paksumpia tikkuja. Älä täytä tulipesää yli 2/3 sen korkeudesta. Ylitäyttö estää savupiipun vedon, jolloin puut eivät pala tai kamiina voi puhaltaa savua teltan sisälle.
2. Säädä tuhkaluukkuun niin, että sen ja kamiinan rungon välissä on noin 1-2 cm rako.
3. Sytytä polttopuut sopivaa sytykettä esim. koivuntuolta käyttämällä. Älä käytä sytytyspaloja tai palavia nesteitä. Varo polttamasta tai muuten vahingoittamasta itseäsi sytytyksen aikana.
4. Sulje ja pidä tulipesän luukku suljettuna käytön aikana. Avaa sitä aika ajoin tarkastaaksesi polttopuun ja tulen tilanne.
5. Jos tuli tuntuu palavan heikosti, avaa tuhkaluukkuun varovasti, jolloin ottoilman saanti lisääntyy.
6. Jos tuli tuntuu palavan liiankin voimakkaasti, sulje tuhkaluukkuun varovasti.
7. Jatka tulen tarkkailua ja polttopuun lisäämistä tarpeen mukaan. Riippuen polttopuun laadusta ja monesta muusta tekijästä puuta voi joutua lisäämään 10-30 minuutin välein. Tärkeintä on jatkuva valvonta.
8. Älä ikinä täytä tulipesää puulla ylitse 2/3 sen sisätilan korkeudesta. Liiallinen puu voi tukkia savupiipun, jolloin tuli palaa heikosti ja kamiina voi puhaltaa savuja ja palokaasuja teltan sisälle.
9. Ole aina erittäin varovainen avatessasi tulipesän luukkuun. Käytä tähän esim. klapia tai muuta 20-30 cm pitkää välinettä. Avatusta luukusta voi iskeä liekkejä tai lentää kipinöitä ja tippua kekäleitä. Pidä vartalosi aina turvallisella etäisyydellä luukkuun avatessa.
10. Kun tulipesän luukku on auki, on täysin normaalia, että siitä virtaa jonkin verran savua teltan sisälle.
 - Jos savun virtaaminen teltan sisälle jatkuu, kun luukku on suljettu, tarkasta, että savupiipun lähtö ei ole tukossa tulipesän sisällä. Jos savupiipun lähtö on estetty esim. liialla polttopuulla, pyri kohentamaan tulipesän sisältöä niin, että savupiipun lähtö vapautuu. Jos tämä on mahdotonta tai ilmiselvää syytä savupiipun vetämättömyydelle ei löydy, poistu teltasta välittömästi ja anna tulen sammua itsestään. Tuuleta teltta huolellisesti ja anna kamiinan jäähtyä ennen savupiipun purkamista, tarkastamista ja puhdistamista. During and after use: Inspect the surrounding area near the stove both inside and outside the tent for any hot embers or smouldering material and extinguish these with water to prevent accidental fires.
11. Käytön aikana ja jälkeen: Tarkkaile ja varmista, ettei lähialueella kamiinan välittömässä läheisyydessä tai teltan ulkopuolella ole kyteviä kipinöitä maastossa. Sammuta tällaiset huolellisesti vedellä heti sellaisen huomattessasi.
12. Käytön jälkeen: Anna kamiinan jäähtyä täydellisesti ennen kuin kosket siihen purkamista ja huoltoa varten. Tämä voi kestää jopa tunnin tai kauemmin (tai jopa neljä tuntia tai kauemmin saunakäytön jälkeen, jolloin kiuaskivet varastoivat lämpöä). Varmista, että kamiina on täysin jäähtynyt ennen käsittelyä!

KÄYTTÖ SAUNATELTAN KIUKAANA

Saunatelttäkäytössä on muutamia erityisiä seikkoja, joita tulee huomioida tavallisten käyttöohjeiden ja varoitusten lisäksi. Kiuaskäyttöä varten tarvitsen erikseen myytävät kiviritilät, jotka kiinnitetään kamiinaan kylkiin. Älä ikinä käytä kamiinaa kiukaana ilman kiviritiloita. Ilman kiviritilöiden tukea kivet voivat pudota kamiinan päältä ja aiheuttaa palovammoja ja vahinkoja.

1. Lue saunateltan omat käyttöohjeet ja varoitukset ennen käyttöä!
2. Lue tämän kamiinan kaikki varoitukset ja ohjeet ennen käyttöä!
3. Tätä kamiinaa ei tule käyttää kiukaana missään muussa tilassa paitsi Savotta-saunateltoissa!
4. Kiukaana käytettäessä kamiinan päälle pinotaan noin 20 kg kiviä ja sen päälle heitetään vettä. Tämä käyttö aiheuttaa kamiinalle lommoja, pintaruostetta, vääntymisiä ja muita selkeitä käytön jälkiä. Nämä kaikki ovat luonnollista kulumaa.
5. Kiukaana käytettäessä aiheutuvat lommot ja vääntymät (yleisimpänä kamiinan ylätason vääntyminen lommolle) haittaavat kamiinan käyttöä keittotasona ruuanvalmistuksessa. Huomioi tämä ennen käyttöä ja ymmärrä, että kiuaskäytön jälkeen kamiina ei tule olemaan entisensä.
6. Valmistele kamiina aiempien valmistelu- ja käyttöönotto-ohjeiden mukaan ja lisää siihen kiviritilät:
 - Kiinnitä kiviritilät kamiinaan sivujen yläreunoista löytyviin kiinnityskoukkuihin.
 - Ole varovainen ja käytä suojaavia käsineitä käsitellessäsi kiviritiloita, joiden reunat voivat olla hyvinkin terävät.
 - Varmista, että kiviritilät on kiinnitetty oikein ja ne ovat tukevasti paikoillaan. Väärin tai huonosti kiinnitetty kiviritilä voi irrota käytön aikana ja aiheuttaa vakavia palovammoja.
7. Käytä kiuaskivinä vain kiuaskäyttöön tarkoitettuja kaupasta ostettuja kiviä. Vääränlaiset kivet voivat kuumetessaan haljeta ja aiheuttaa sirpalevammoja.
8. Suosittelemme käyttämään noin 20 kg kiviä. Kiviä ei tulisi missään tilanteessa tarvita tai käyttää enempää kuin 30 kg. Tarkka kivien määrä riippuu paljon niiden muodosta.
9. Pyri latomaan kivet niin että ne peittävät mahdollisimman paljon kamiinan sivuista ja yläosasta.
 - Suosittelemme pitämään tulipesän luukkua auki/yläasennossa kivien ladonnan ajan, jolloin et vahingossa lada kamiinan päälle kiviä niin, että ne estävät luukun avaamisen käytön aikana.
10. Ole huolellinen ja lada kivet niin, että ne eivät voi pudota kamiinan päältä käytön aikana.
11. Jos kivi putoaa kamiinan päältä käytön aikana, pidä huoli, että kaikki paikalla olijat saavat tiedon asiasta ja jäähdytä kivi heti kaatamalla sen päälle vettä. Älä missään nimessä nosta kuumaa kiveä ja varo astumasta sen päälle!
12. Kivet ovat erittäin kuumat käytön aikana. Varo koskemasta kiviin, kamiinaan, savupiippuun tai muuhun kamiinan kuumentuneeseen osaan saunomisen aikana.
13. Heitä löylyä riittävän pitkävartisella kauhalla ja varo, ettei kivistä nouseva kuuma höyry polta käsivartta, muuta osaa kehostasi tai muita saunoja.
14. Älä ikinä käytä merivettä löylyn heittämiseen! Suolainen vesi ruostuttaa kamiinan pilalle nopeasti. Meriveden käyttö löylynheittoon on käyttäjävirhe eikä takuumme kata siitä aiheutuvia vahinkoja.
15. Käytön jälkeen: Kamiinan ja kivien jäähtyminen voi viedä jopa neljä tuntia tai kauemmin. Älä käsittele kiviä tai kamiinaa ennen kuin ne ovat täysin jäähtyneet.

KÄYTÖN JÄLKEEN – PURKU, HUOLTO JA SÄILYTYS

Seuraa näitä ohjeita huolellisesti varmistaaksesi kamiinan mahdollisimman pitkän käyttöiän ja turvallisuuden.

1. Varmista, että kamiina ja sen kaikki osat ovat jäähtyneet ennen niiden koskettamista!
2. Nosta ja irrota savupiippu varovasti kamiinan päältä ja pura savupiippu osiin. Suosittelemme käyttämään suojakäsineitä, sillä savupiipun kappaleiden reunat voivat olla erittäin teräviä. Varo käyttämästä liiallista voimaa, savupiipun osat voivat vahingoittua väännöstä.
3. Jos savupiipun kappaleiden reunat ovat vääntyneet eivätkä istu toisiinsa hyvin, voi niitä yrittää varovasti vääntää takaisin oikeaan muotoonsa pihdeillä.
4. Pyyhi kosteus ja lika savupiipun osien ulkopuolelta ja sisäpuolelta. Harjaa nokiset savupiipun kappaleet sisäpuolelta esim. vessaharjalla. Älä käytä samaa harjaa mihinkään muuhun tämän jälkeen, se on nyt sinun kamiinaharjasi ja nokeaa kaiken mihin se koskettaa.
5. Tyhjennä tuhka-astia ja ravista kamiinan rungon sisältä tuhkat ulos. Ole huolellinen ja varovainen. Tuhkat voivat olla kuumia ja aiheuttaa tulipalovaaran.
6. Puhdista kamiina ulkopuolelta ja sisältä. Irrota pahimmat roskat ja hiilet sisäpuolelta. Kamiinan sisäpuolta ei tarvitse harjata jokaisen käytön jälkeen, mutta suosittelemme tekemään tämän aika ajoin, esim. joka kymmenennen käyttökerran välissä.
7. Tärkeintä on pitää huoli, että kamiina ja savupiippu ovat täysin kuivia! Kosteus ruostuttaa teräksen nopeasti säilytyksen aikana.
8. Säilytä kamiinaa sisätiloissa kuivassa ja tasalämpöisessä paikassa. Vääränlainen säilytys on käyttäjävirhe eikä takuu kata siitä aiheutuvia vahinkoja.
9. Vaikka kuinka antaumuksella huollat kamiinaa, tulee se näyttämään käytetyltä. Lommot, värinmuutokset, pintaruoste jne. ovat normaalia kulumaa, eikä takuumme kata mitään näistä.
10. Pintaruostetäpliä voi harjata varovasti esim. teräsvillalla. Harjauksen apuna voi käyttää esim. pellavaöljyä, jolloin ruoste irtoaa helpommin ja siistimmin. Muista puhdistaa ja polttaa mahdolliset öljyjäämät pois ennen seuraavaa käyttöä!
11. Pitkäaikaissäilytystä (useampi kuukausi) varten suosittelemme öljymään kamiinan ja sen komponentit ohuesti pellavaöljyllä. Muista puhdistaa ja polttaa varastoöljy pois ennen seuraavaa käyttökertaa, aivan kuten teit ennen kamiinan alkuperäistä käyttöönottoa!

HYVÄ TIETÄÄ

1. Värimuutokset: Teräs vaihtaa väriään kuumentuessa ja käytetty kamiina voi olla aika rujan ja kirjavan näköinen. Tämä on täysin normaalia.
2. Lommot ja vääntymiset: Kuumentuessaan teräs vääntyilee ja etenkin saunakäytössä kamiinaan tulee kolhuja ja lommoja. Kolhut, naarmut, lommot ja sen sellaiset ovat normaalia kulumaa.
3. Pintaruoste: Kamiina tulee ruostumaan, vaikka kuinka huolellisesti sitä huollat. Pintaruoste on täysin normaalia ja helposti irrotettavaa esim. teräsvillalla.
4. R-sokat: Eli ne pienet sokat, jotka varmistavat jalat paikoilleen. Jos nämä hukkuvat, niin sopivia korvikkeita löytyy lähes jokaisesta rautakaupasta.
5. Telttakankaan vauriot: Puupolttoinen kamiina syöksee savupiipusta kipinöitä ja nämä kipinät polttavat teltan kattoon reikiä. Tältä ei pysty välttymään. Telttakankaaseen palaneet reiät ovat luonnollista kulumaa eikä takuumme kata niitä. Tätä varten meiltä saa telttanpaikkaussarjoja!



TEKNISET TIEDOT

Materiaali: Teräs

- Ei ruostumatonta. Kamiina ja savupiippu tulee pintaruostumaan käytössä ja se on täysin normaalia.

Paino: 18,5 kg (sis. savupiippu)

- 20 kg (sis. erikseen myytävät kiviritilät)

Mitat:

A. 30 cm (kamiinan rungon korkeus pl. savupiipun kiinnike)

B. 42 cm (kamiinan rungon pituus pl. tuhkaluukun kahva)

i. 46 cm sis. tuhkaluukun kahva

C. 28 cm (kamiinan rungon leveys pl. kiviritilöiden kiinnityskoukut)

i. 33 cm sis. kiviritilöiden kiinnityskoukut

ii. 44 cm kiviritilät kiinnitettynä

D. 55 cm (korkeus jalat kiinnitettynä pl. savupiipun kiinnike)

E. 8,5 cm (savupiipun kiinnikkeen halkaisija)

F. 5 cm (savupiipun kiinnikkeen korkeus)

• Tulipesän aukko: 23 x 10 cm (L x K)

• Tulipesä: 27 x 17 x 41 cm (L x K x S)

• Savupiipun kappale: 8,5 x 37-40 cm (pituus vaihtelee hieman)

• Koottu savupiippu: 240 cm (6x savupiipun kappale ja 1x kipinäsuoja)

• Korkeus maasta savupiipun päähän kamiinaan kiinnitettynä: 295 cm

• Savupiipun pään tulisi yltää vähintään 100 cm teltan katon yläpuolelle mitattuna siitä kohdasta, jossa savupiippu läpäisee teltan katon. Riippuen telttamallista voit tarvita ylimääräisiä savupiipun kappaleita (saatavilla erikseen):

• FDF 10 – ei tarvetta lisäkappaleille

• FDF 10-JSP – vaatii yhden lisäkappaleen

• FDF 20 – vaatii kaksi lisäkappaletta

• FDF 20-HQ – vaatii kolme lisäkappaletta

• Hiisi 2 – ei tarvetta lisäkappaleille

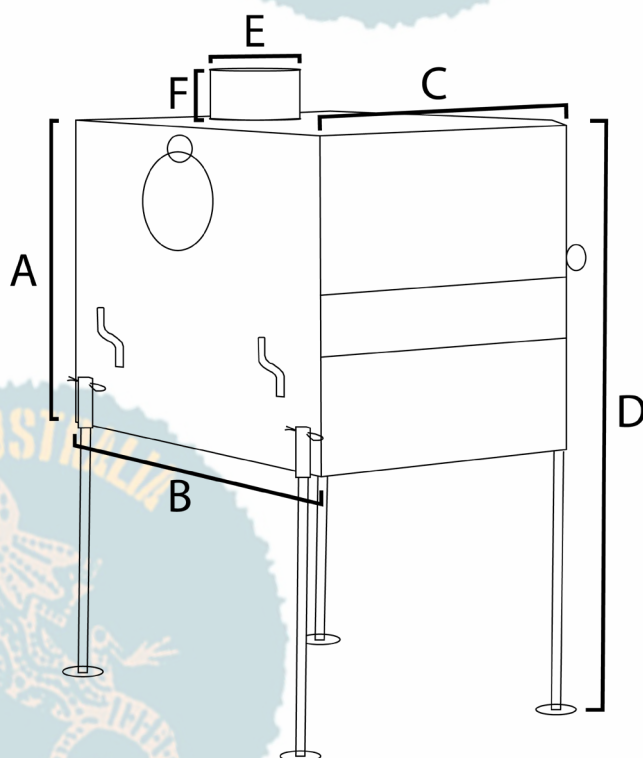
• Hiisi 4 – ei tarvetta lisäkappaleille

• Hawu 4 – ei tarvetta lisäkappaleille

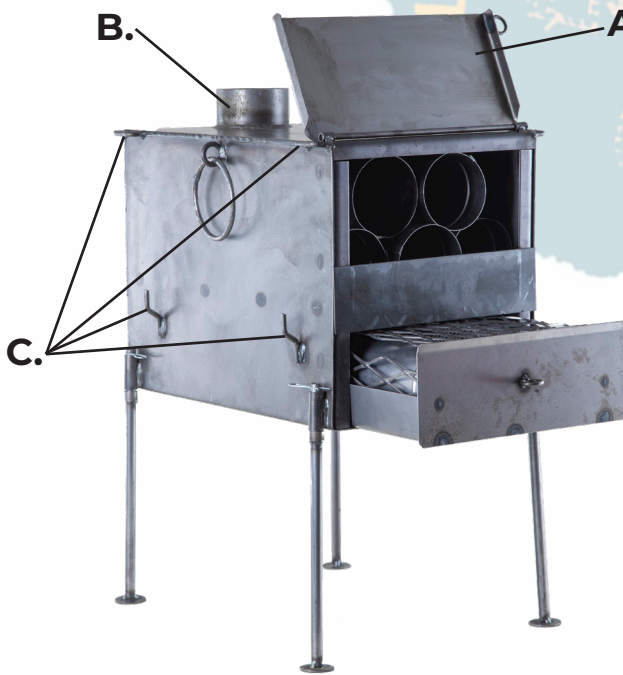
• Hawu 8 – ei tarvetta lisäkappaleille

Huom. Tarkat mitat voivat vaihdella vähän kamiinayksilöiden ja tuotantoerien välillä.

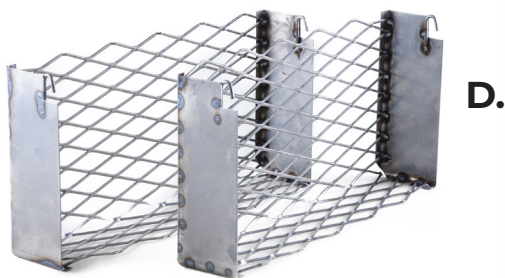
Varastoöljy: Kamiina toimitetaan kevyesti öljyttynä, tämä öljy tulee puhdistaa ja polttaa pois käyttöohjeiden mukaisesti ulkotiloissa ennen ensimmäistä käyttökertaa.



1. ZELTOFEN
2. ASCHEWANNE
3. BEINE UND SICHERUNGS-PINS
4. KAMIN EINZELTEILE
5. . FUNKENFÄNGER



- A. OFENTÜR
- B. KAMINANSCHLUSS
- C. STEINRACK-BEFESTIGUNGSHAKEN
- D. STEINRACK (SEPARAT ZU KAUFEN - ZUBEHÖR FÜR SAUNA)





WARNHINWEISE - VOR DEM GEBRAUCH LESEN!



Eine unsachgemäße Verwendung dieses Ofens kann zu schweren Verletzungen und / oder Schäden führen. Lesen und verstehen Sie diese Warnungen und Anweisungen, bevor Sie den Ofen benutzen. Schäden, die durch Nichtbeachtung dieser Anweisungen entstehen, gelten als Benutzerfehler und fallen nicht unter die Garantie. Beachten und befolgen Sie immer die örtlichen Gesetze zur Verwendung von Holzöfen. Diese Warnungen und Anweisungen haben keinerlei Einfluss auf Gesetze und Vorschriften an Ihrem Ort/in Ihrem Land.

1. Lassen Sie den Ofen niemals unbeaufsichtigt, während sich brennendes Holz oder heiße Glut darin befindet! Andernfalls kann es zu erheblichen Brandschäden, Verletzungen oder zum Tod kommen.
2. Versuchen Sie niemals, den Ofen unsachgemäß oder unvollständig zusammengebaut zu verwenden. Ein solcher Missbrauch kann zu ernsthaften Schäden und Verletzungen führen. Befolgen Sie diese Anweisungen und Warnungen immer vollständig, wenn Sie den Ofen benutzen.
3. Betreiben Sie den Ofen niemals, wenn ein Teil davon beschädigt ist! Anweisungen zur Vorgehensweise bei Beschädigung Ihres Ofens erhalten Sie direkt von Ihrem Händler oder Savotta.
4. Verbrennen Sie in diesem Ofen keine anderen Brennstoffe als natürliches, hochwertiges und trockenes Brennholz. Verwenden Sie niemals brennbare Flüssigkeiten im oder in der Nähe des Ofens.
5. Gehen Sie in unmittelbarer Nähe und beim Betrieb des heißen Ofens immer mit äußerster Vorsicht vor. Als Ofenbetreiber müssen Sie immer darauf achten, dass sich Kinder, Tiere und andere Personen am heißen Ofen nicht verletzen.
6. Um die Beschädigung des Zeltes durch herabfallende Funken zu minimieren, sollte sich die Kaminoberseite 100 cm über der Kaminöffnung des Zeltes erstrecken. Wir empfehlen das Verbrennen von Hartholz, um das Funkenrisiko zu minimieren. Funken- und Glutverbrennungen (kleine Löcher) an Zeltdecken sind völlig normal und unvermeidbar, aber leicht zu reparieren. Die Garantie deckt keine Sachschäden durch Funken oder Glut des Ofens oder Schornsteins ab.
7. Funken, Glut, Flammen und Hitze vom Ofen können in der Nähe befindliches Material in Brand setzen. Entfernen Sie vor dem Gebrauch leicht brennbares Material aus der Nähe des Ofens und des Kamins. Achten Sie besonders auf den Bereich vor der Ofentür. Alle leicht brennbaren Materialien sollten aus einer Entfernung von 50 cm vor dem Ofen entfernt werden. Durch die offene Tür (beim Hinzufügen von Brennholz oder beim Überprüfen des Feuers) können Flammen, Glut und Hitze eine ernsthafte Brandgefahr verursachen, wenn sich vor dem Ofen leicht brennbares Material befindet.
8. Leeren Sie die Aschenwanne niemals auf oder in der Nähe von brennbaren Gegenständen und entsorgen Sie die Asche auf sichere Weise, damit keine Brandgefahr entsteht.
9. Halten Sie immer einen großzügigen Eimer Wasser oder einen Feuerlöscher in unmittelbarer Nähe des Ofens, der heiß ist. Bereiten Sie sich darauf vor, bei Bedarf Feuer zu löschen!
10. Berühren Sie den Ofen niemals, solange er heiß ist, und lassen Sie ihn vor der Demontage und Wartung immer vollständig abkühlen! Der Ofen (und die Steine, wenn der Ofen in einem Saunazelt verwendet wird) sind beim Erhitzen extrem heiß und können bei Berührung Verletzungen verursachen! Denken Sie daran, dass er auch nach dem Ausbrennen der letzten Glut bis zu einer Stunde oder länger heiß bleibt.
11. Der Ofen muss regelmäßig gewartet und ordnungsgemäß gelagert werden. Es ist nicht für einen längeren Dauereinsatz ausgelegt. Die Aschenwanne sollte geleert, zerlegt, gereinigt und zwischen den Einsätzen gewartet werden, um Schäden zu vermeiden und den Verschleiß zu minimieren. Wenn die ordnungsgemäße Wartung und Lagerung vernachlässigt wird, kann der Ofen beschädigt werden und beim Betrieb schwere Verletzungen für den Benutzer und umstehende Personen verursachen.
12. Der Ofen hat viele scharfe Ecken und geschnittene Metallkanten, die bei unsachgemäßer Handhabung schneiden und anderweitig Verletzungen verursachen können. Seien Sie vorsichtig und tragen Sie Schutzhandschuhe (Lederhandschuhe oder ähnliches), wenn Sie den Ofen während des Transports, der Montage, des Gebrauchs, der Demontage, der Wartung und Lagerung handhaben.
13. Versuchen Sie niemals, den Ofen in irgendeiner Weise zu modifizieren! Ein modifizierter Ofen kann ein ernstes Sicherheitsrisiko darstellen, und Änderungen am Ofen führen sofort zum Erlöschen der Garantie.
14. In der Sauna: Verwenden Sie diesen Ofen nicht als Saunaofen mit einer anderen Struktur oder einem anderen Zelt als Savotta-Saunazelten. Verwenden Sie nur handelsübliche Saunasteine, die für den Saunagang verkauft werden. Unsachgemäße Steine können den Benutzer schwer verletzen. Seien Sie äußerst vorsichtig, wenn Sie Wasser auf die heißen Felsen werfen, da der verdampfende Dampf schwere Verbrennungen an Haut und Körper verursachen kann.

ANWEISUNGEN - VORBEREITUNGEN UND MONTAGE

Dieser Ofen ist nur für die Verwendung mit Savotta-Zelten vorgesehen. Dieser Ofen sollte niemals in Innenräumen verwendet werden. Lesen Sie vor dem Gebrauch sowohl diese Anweisungen als auch die folgenden Warnhinweise. Wenn Sie als Saunaofen verwendet werden, lesen Sie auch die Gebrauchsanweisung für die Sauna.

1. Achten Sie vor dem Zusammenbau und der Verwendung des Ofens auf folgende Gefahren:
 - o Trockenes Gras und Unterholz in der Nähe des Ofens (Brandgefahr).
 - o Bäume und Äste in der Nähe des Schornsteins/Kamin (Brandgefahr).
 - o Unebener Boden (Herd oder Benutzer können stolpern und fallen).
2. Überprüfen Sie den Ofen und seine Komponenten, um sicherzustellen, dass Sie alles haben, was Sie brauchen, und alles so ist, wie es sein sollte. Beschädigte Teile müssen vor dem Gebrauch ersetzt oder ordnungsgemäß repariert werden. Die Verwendung eines beschädigten oder nicht ordnungsgemäß reparierten Ofens kann zu schweren Verletzungen führen.
3. Befestigen Sie die vier Beine mit den Sicherungsstiften am Ofenkörper. Stellen Sie sicher, dass die Beine richtig gesichert sind, da der Ofen sonst während des Gebrauchs zusammenbrechen und schwere Verletzungen verursachen kann.
4. Überprüfen Sie, ob der Ofen fest auf einer ebenen, harten Oberfläche steht. Seien Sie besonders vorsichtig, wenn Sie den Ofen auf Schnee oder Eis verwenden, da diese durch die Hitze schmelzen und zum Einsturz des Ofens führen können. Der Ofen muss gerade stehen, damit er ordnungsgemäß funktioniert. Wenn der Ofen in einem Winkel steht, auf weichem Boden steht oder wackelt, kann er während des Gebrauchs zusammenbrechen, in der Nähe befindliches Material in Brand setzen und schwere Verletzungen verursachen.
5. Stellen Sie sicher, dass sich keine Hindernisse in den Kaminstücken befinden. Entfernen Sie eventuell vorhandene Fremdkörper oder Materialien. Ein verstopfter Schornstein lüftet den Rauch nicht richtig und lenkt ihn stattdessen ins Zelt. Das Einatmen von Rauch und Kohlenmonoxid kann Atemprobleme und schwere, sogar tödliche Verletzungen verursachen.
6. Bauen Sie den Schornstein zusammen und befestigen Sie ihn am Ofenkörper. Stellen Sie sicher, dass alle Teile richtig ineinander greifen, da sonst der Schornstein während des Gebrauchs zusammenbrechen und schwere Verletzungen verursachen kann. Die Kanten der Schornsteinstücke können sehr scharf sein. Seien Sie besonders vorsichtig, wenn Sie diese handhaben, um ein Schneiden zu vermeiden. Verwenden Sie ggf. Handschuhe.
7. Bereiten Sie einen oder zwei Eimer Wasser und / oder einen Feuerlöscher und / oder eine Feuerlöschdecke für den Fall vor, dass Funken, Hitze oder Flammen vom Herd oder Kamin einen versehentlichen Brand verursachen. Wissen Sie, wie man diese benutzt und seien Sie jederzeit darauf vorbereitet!
8. Öffnen Sie die Aschenpfanne ein wenig, so dass Ihr Finger zwischen der Aschenpfannenplatte und dem Ofenkörper liegt. Dies soll einen ausreichenden Luftstrom zum Ofen gewährleisten.

ANWEISUNGEN - FEUERSTART UND WARTUNG

Nachdem die Vorbereitungen ordnungsgemäß abgeschlossen sind, können Sie den Ofen aufheizen. Dazu benötigen Sie eine geeignete Menge richtig trockenes Brennholz (vorzugsweise Hartholz), hergestellt in Längen von 30-35 cm mit einem Durchmesser von 5-10 cm.

Die Menge an Brennholz, die Sie benötigen, hängt davon ab, wie lange und wie heiß Sie das Feuer brennen lassen möchten. Im Folgenden finden Sie grobe Richtlinien (Sie werden lernen, wenn Sie mit dem Umgang mit dem Ofen vertraut sind):

- Ein 100 x 50 cm großer Stapel 35 cm langes Brennholz reicht aus, um den Ofen 9 Stunden lang zu erhitzen und ein Feldlagerzelt über Nacht warm zu halten.
- Ein 50 x 50 cm großer Stapel 35 cm langes Brennholz reicht aus, um den Herd + die Steine für eine Badesitzung in einem Saunazelt zu erhitzen.
- Wenn Sie sich nicht sicher sind: Bereiten Sie für alle Fälle zusätzliches Brennholz vor! Es ist besser, zu viel als zu wenig zu haben, wenn Sie es brauchen.
- Wie schnell das Holz brennt, hängt davon ab, wie viel Luft durch die Aschenwanne strömt. Das Einstellen der Aschenwanne auf mehr oder weniger Luftstrom ist eine Fähigkeit, die Sie lernen werden, wenn Sie mit dem Ofen vertraut werden. Wenn das Feuer zu viel Luft bekommt, brennt es zu heiß und schnell. Wenn es zu wenig Luft bekommt, brennt es möglicherweise überhaupt nicht.

Wichtig: Wenn Sie den Ofen zum ersten Mal benutzen, muss er vollständig im Freien (nicht in einem Zelt) durchgeführt werden, um Rückstände von Speicheröl abzubrennen. Es kann bis zu einer Stunde dauern, bis alle Ölrückstände vollständig abgebrannt sind.

1. Fügen Sie kleine, zwei, drei Finger dicke Stücke trockenen, abgelagerten Brennholzes (vorzugsweise Hartholz) in den Ofen oben auf dem Rost ein. 1/3 bis 2/3 der Innenhöhe sollten mit locker angeordneten Brennholzstücken gefüllt sein.
2. Öffnen Sie die Aschenpfanne ein wenig, so dass sich zwischen ihr und dem Ofenkörper eine Öffnung von 1-2 cm befindet. Dies dient dazu, Luft in den Ofen zu lassen.
3. Zünden Sie das Brennholz mit einem geeigneten Anzünder wie Birkenrinde an. Verwenden Sie kein Benzin oder andere brennbare Flüssigkeiten. Seien Sie beim Zünden des Holzes äußerst vorsichtig, um sich nicht zu verbrennen!
4. Halten Sie die Ofentür geschlossen, wenn das Feuer brennt, öffnen Sie sie nur, um das Feuer zu überprüfen und Brennholz hinzuzufügen.
5. Wenn das Feuer schwach zu brennen scheint: Stellen Sie die Aschenwanne so ein, dass mehr Luft in den Ofen strömt.
6. Wenn das Feuer mit zu viel Kraft zu brennen scheint: Stellen Sie die Aschenwanne so ein, dass weniger Luft in den Ofen strömt.
7. Fügen Sie in geeigneten Abständen Brennholz hinzu (je nach verwendetem Holz kann dies zwischen 10 und 30 Minuten dauern).
8. Füllen Sie niemals mehr als 2/3 der Innenhöhe des Ofens mit Brennholz, da dies den Schornstein verstopfen kann, was dazu führen kann, dass das Feuer nicht richtig brennt oder Rauch durch die Tür oder die Aschenwanne des Ofens austritt.
9. Seien Sie beim Öffnen der Ofentür äußerst vorsichtig, da Flammen durch die offene Tür schießen können! Verwenden Sie immer ein Stück Brennholz oder ein ähnliches 20-30 cm langes Instrument, um die Ofentür zu öffnen, wenn der Ofen heiß ist. Halten Sie den Rest Ihres Körpers beim Öffnen der Tür auf Armlänge vom Ofen entfernt, um Verbrennungen durch das Feuer zu vermeiden.
10. Wenn die Ofentür geöffnet ist, wird höchstwahrscheinlich etwas Rauch durch die Ofentür in das Zelt strömen. Dies ist völlig normal und sollte aufhören, wenn die Tür geschlossen ist.

Wenn beim Schließen weiterhin Rauch durch die Seiten der Tür strömt, müssen Sie zunächst prüfen, ob der Schornstein nicht durch überschüssiges Holz im Ofen blockiert ist. Wenn das Rauchen nicht aufhört, das Zelt sofort zu evakuieren, um das Einatmen von Rauch zu vermeiden, das Feuer ausbrennen zu lassen und den Ofen vollständig abzukühlen (dies kann eine Stunde oder länger dauern), bevor der Kamin zerlegt und überprüft wird.

11. Während und nach dem Gebrauch: Untersuchen Sie die Umgebung in der Nähe des Ofens sowohl innerhalb als auch außerhalb des Zeltes auf heiße Glut oder schwelendes Material und löschen Sie diese mit Wasser, um versehentliche Brände zu vermeiden.
12. Nach Gebrauch: Lassen Sie den Ofen vollständig abkühlen, bevor Sie ihn zur Demontage und Wartung nach Gebrauch berühren. Dies kann bis zu einer Stunde oder länger dauern (oder vier Stunden oder mehr, wenn es als Saunazelt mit Steinen verwendet wird). Stellen Sie sicher, dass der Ofen abgekühlt ist, bevor Sie ihn oder einen Teil davon berühren!

SAUNA-GEBRAUCH

Es gibt einige spezifische Anweisungen, die Sie befolgen müssen, und Dinge, die Sie bei der Verwendung des Ofens in einem Saunazelt berücksichtigen müssen. Das Steinrack (Gestell/Zubehör) wird benötigt, wenn Sie den Ofen als Saunaofen mit Steinen verwenden. Versuchen Sie nicht, den Ofen für die Sauna ohne das Steingestell zu verwenden, da dies zu schweren Verletzungen führen kann, da die Steine nicht richtig abgestützt und an Ort und Stelle gehalten werden!

1. Lesen Sie vor dem Gebrauch die Warnhinweise und Anweisungen des Saunazeltes!
2. Lesen Sie vor dem Gebrauch alle vorherigen und folgenden Warnungen und Anweisungen des Ofens selbst!
3. Dieser Ofen ist nicht für die Verwendung in der Sauna mit anderen Strukturen als Savotta-Zelten vorgesehen. Verwenden Sie diesen Herd nicht als Saunaofen mit etwas anderem als einem echten Savotta-Saunazelt – wenn doch, dann nur auf eigene Gefahr und Risiko!
4. Die Nutzung des Ofens in der Sauna umfasst das Stapeln von ca. 20 kg Steine und Wasser darauf zu werfen. Diese Maßnahmen führen jedoch, wie sorgfältig sie auch durchgeführt werden, zu Oberflächenrost und Verformung der Ofenstruktur. Der Ofen wird nach dem Gebrauch der Sauna nie wieder derselbe sein. Dies ist völlig normal, aber eine wichtige Sache, die berücksichtigt und verstanden werden muss.
5. Die Verwendung der Sauna verformt den Ofen auf irgendeine Weise (normalerweise knickt die Oberseite des Ofens unter dem Gewicht der Steine nach innen ein), wodurch er für die Verwendung als Kochfläche weniger geeignet ist. Berücksichtigen Sie dies, wenn Sie einen Herd sowohl für die Sauna als auch zum Kochen von Speisen und zum Erhitzen eines normalen Feldlagerzeltes verwenden möchten.
6. Montieren und bereiten Sie den Ofen gemäß den Montage- und Vorbereitungsanweisungen vor. Befestigen Sie das Steingestell am Ofenkörper:
 - Fügen Sie die Steingestelle an den Seiten des Ofens hinzu, indem Sie sie an den Haken für die Befestigung des Steingestells an den Seiten des Ofenkörpers befestigen.
 - Seien Sie sehr vorsichtig und tragen Sie beim Umgang mit dem Steingestell Schutzhandschuhe (Lederhandschuhe oder ähnliches), da die Kanten und Ecken sehr scharf sein können. Schneide dich nicht!
 - Überprüfen Sie die Steingestelle, um sicherzustellen, dass sie ordnungsgemäß angebracht sind. Nicht ordnungsgemäß angebrachte Steingestelle können beim Gebrauch herunterfallen und die Saunanutzer schwer verletzen.
7. Verwenden Sie nur handelsübliche Saunasteine. Auf diese Weise können Sie sicher sein, dass die von Ihnen verwendeten Steine geeignet und sicher sind. Die falsche Art von Steinen erwärmt sich möglicherweise nicht richtig und schlimmer noch, sie können ggf. reißen oder platzen und möglicherweise fliegende Splitter können zu Verletzungen führen. Wir empfehlen Split-Face-Olivin-Diabassteine wie „Harvia-Saunasteine“.
8. Wir empfehlen die Verwendung von ca. 20 kg Steine auf dem Ofen. Verwenden Sie niemals mehr als 30 kg, da dies den Ofen stark beschädigen kann und die große Menge an Steinen aufgrund von vom Ofen fallenden Steinen unsicher sein kann. Das genaue Gewicht der benötigten Steine hängt von der Größe, Form und Art der verwendeten Steine ab.
9. Versuchen Sie, so viele Seiten und die Oberseite des Ofens wie möglich mit Steinen zu bedecken, um den besten Effekt zu erzielen.
 - Achten Sie darauf, die Öffnung der Ofentür nicht zu blockieren. Es sollte in der Lage sein, vollständig zu schwingen und in der oberen Position zu ruhen. Wir empfehlen, dass Sie die Ofentür offen halten, wenn Sie die Steine stapeln, da dies Ihnen deutlich zeigt, wie viele Steine Sie in der Nähe der Vorderseite des Ofens stapeln können.
10. Seien Sie sehr vorsichtig, wenn Sie die Steine auf den Herd stapeln, um sicherzustellen, dass keiner von ihnen beim Gebrauch herunterfallen kann.
11. Wenn ein Stein beim Gebrauch vom Herd fällt, heben Sie ihn nicht auf, da er extrem heiß ist. Kühlen Sie es sofort ab, indem Sie eine großzügige Menge Wasser darauf gießen. Wenn Sie nicht gekühlt sind, können Sie versehentlich darauf treten, was zu schweren Verbrennungen führen kann.
12. Die Steine sind beim Erhitzen extrem heiß und können bei Berührung schwere Verletzungen verursachen. Berühren Sie niemals die Steine, den Herd oder den Herdkamin, wenn Sie in einem Saunazelt baden.
13. Wenn Sie Wasser auf die heißen Felsen werfen, achten Sie besonders darauf, dass Sie Hand, Arm und Körper vom Weg des heißen Dampfes fernhalten. Der heiße Dampf kann schwere Verbrennungen an Haut und Körper verursachen.
14. Verwenden Sie niemals Salzwasser auf den Steinen und dem Herd. Salzwasser korrodiert und beschädigt den Ofen. Bei Gewährleistungsansprüchen gilt dies als Benutzerfehler und als solche wird eine Beschädigung durch Salzwasser nicht durch unsere Garantie abgedeckt.
15. Nach dem Gebrauch: Es kann bis zu vier Stunden oder länger dauern, bis der gesamte Ofen und alle Steine nach dem Gebrauch abgekühlt sind. Fassen Sie niemals Teile des Ofens oder der Steine an, solange diese noch heiß sind.

NACH DEM GEBRAUCH - DEMONTAGE, WARTUNG UND LAGERUNG

Befolgen Sie diese Anweisungen sorgfältig, um die Sicherheit des Benutzers und die längst mögliche Lebensdauer Ihres Ofens zu gewährleisten.

1. Vergewissern Sie sich unbedingt, dass der Ofen und alle Teile vollständig abgekühlt sind, bevor Sie ihn berühren!
2. Heben Sie den Schornstein vom Ofen ab und zerlegen Sie ihn vorsichtig ohne übermäßige Krafteinwirkung. Durch übermäßige Krafteinwirkung können die Schornsteinteile beschädigt werden. Seien Sie sehr vorsichtig, da die Kanten der Kaminstücke scharf schneiden können! Wir empfehlen die Verwendung von Schutzhandschuhen (Lederhandschuhe oder ähnliches), um Verletzungen zu vermeiden.
3. Wenn die Schornsteinstücke durch gebogene Kanten beschädigt sind, können Sie versuchen, sie vorsichtig mit einer Zange wieder in Form zu bringen.
4. Wischen Sie Schmutz und Feuchtigkeit von den Schornsteinen ab. Wenn die Innenseite der Schornsteinteile übermäßig rußig erscheint, können Sie sie sauber bürsten. Zum Bürsten der Innenseite der Schornsteinteile können Sie eine Toilettenbürste verwenden. Dadurch bleibt die Bürste rußig. Verwenden Sie sie daher nicht zum Bürsten von etwas anderem als dem Schornstein. Es ist jetzt Ihre Kaminbürste.
5. Leeren Sie die gesamte Asche aus dem Ofen, indem Sie die Aschenpfanne herausnehmen und den Ofen mit der Aschenbecheröffnung und der Tür nach unten kräftig schütteln.
6. Wischen Sie Schmutz und Feuchtigkeit von der Außenseite und der Innenseite des Ofens ab. Sie müssen nicht nach jedem Gebrauch den gesamten Ruß von innen abbürsten. Wir empfehlen jedoch, dies in regelmäßigen Abständen zu tun, z. B. zwischen jeweils zehn Anwendungen.
7. Das Wichtigste ist, dass die Ofen- und Kaminstücke vollständig trocken sind, da Feuchtigkeit rosten und den Stahl angreifen kann.
8. Lagern Sie den Ofen immer an einem trockenen Ort in Innenräumen bei Raumtemperatur, um Rost und Schäden durch Feuchtigkeit zu vermeiden. Die nicht ordnungsgemäße Lagerung des Ofens gilt als Benutzerfehler, und Schäden, die durch unsachgemäße Lagerung verursacht werden, fallen nicht unter die Garantie.
9. Unabhängig davon, wie gut Sie Ihren Ofen reinigen und warten, zeigt er irgendwann Oberflächenrost, Dellen und Verformungen. Dies sind alles ganz normale Gebrauchsspuren und beeinträchtigen die Funktion des Ofens nicht. Diese Art von Verschleiß fällt nicht unter unsere Garantie.
10. Oberflächenrost kann leicht mit Stahlwolle oder einer Bürste abgebürstet werden. Um die Rostentfernung zu unterstützen, empfehlen wir, vor dem Bürsten eine leichte Schicht aller natürlichen Lebensmittelöle (wir empfehlen Leinöl) auf die Rostflecken aufzutragen. Denken Sie daran, Ölrückstände abzubrennen, bevor Sie den Ofen wieder in Betrieb nehmen, wenn Sie beim Abbürsten von Oberflächenrost Öl verwenden möchten.
11. Zur Langzeitlagerung können Sie eine leichte Schicht Leinöl auf den Herd und den Schornstein auftragen. Wenn Sie dies tun: Befolgen Sie die Anweisungen zum Abbrennen von Speicheröl, bevor Sie den Ofen nach der Langzeitlagerung wieder in Betrieb nehmen! Und denken Sie daran, dass der ölige Ofen alles verschmutzt, mit dem er in Kontakt kommt. Seien Sie also vorsichtig, wo Sie ihn aufbewahren.

GUT ZU WISSEN

1. Farbwechsel: Obwohl der Ofen im Neuzustand schön und glänzend ist, ändert er beim Erhitzen seine Farbe und sieht ziemlich schnell ziemlich rau und gebraucht aus. Dies ist völlig normal und schadet nicht.
2. Verformung: Der Ofen verformt sich im Gebrauch, meistens knickt die Oberseite etwas nach unten. Dies ist insbesondere dann der Fall, wenn der Ofen in einem Saunazelt mit schweren Steinen verwendet wird. Dies ist völlig normal. Seien Sie in diesem Fall nicht beunruhigt.
3. Oberflächenrost: Selbst wenn Sie nach jedem Gebrauch perfekt gereinigt und getrocknet werden, werden Sie höchstwahrscheinlich irgendwann leichten Oberflächenrost um den Ofen herum sehen. Dies ist völlig normal und ohne Schaden. Diese können auf Wunsch mit Stahlwolle abgewischt werden.
4. sicherungsstifte (R-Stifte): Diese kleinen Dinge halten die Beine an Ort und Stelle. Wenn Sie verloren gehen, finden Sie in den meisten Baumärkten geeignete Ersatzprodukte.
5. Zeltschaden: Egal wie vorsichtig Sie sind, es wird immer kleine Glut und Funken geben, die aus dem Schornstein fliegen und auf dem Zelt landen. Diese Funken und Glut brennen kleine Löcher im Zelt. Dies ist völlig normaler und unvermeidbarer Verschleiß und unsere Garantie deckt keine derartigen Schäden an Zelten oder anderen Materialien ab. Um dies zu gewährleisten, bieten wir Zeltreparatursätze für unsere Zelte an!



TECHNISCHE DATEN UND INFORMATIONEN

Material: Stahl

- Nicht Edelstahl! Dieser Ofen muss ordnungsgemäß verwendet und gewartet werden, um Korrosionsschäden zu vermeiden. Selbst auf dem am besten gewarteten Ofen treten Flecken von Oberflächenrost auf. Dies ist völlig normal.

Gewicht: 18,5 kg (einschließlich Schornstein)

- 20 kg (mit separaten Steinrack)

Maße:

- A. 30 cm (Ofenkörperhöhe ohne Kaminanschluss)
- B. 42 cm (Ofenkörperlänge ohne Aschenbechergriff)
 - i). 46 cm inkl. Aschenbechergriff
- C. 28 cm (Ofenkörperbreite ohne Steinrack-Befestigungshaken)
 - i). 33 cm inkl. Steinrack-Befestigungshaken
 - ii). 44 cm mit angebrachten Steinrack
- D. 55 cm (Höhe mit angebrachten Beinen ohne Kaminanschluss)
- E. 8,5 cm (Schornsteinöffnung)
- F. 5 cm (Höhe des Kaminanschlusses)
 - Brandkammeröffnung: 23 x 10 cm (B x H)
 - Feuerkammer: 27 x 17 x 41 cm (B x H x T)
 - Kaminstück: 8,5 x 37-40 cm (variiert leicht)
 - Kompletter Schornstein: 240 cm (6x normales Schornsteinstück und 1x Funkenschutz)
 - Höhe vom Boden bis zur Oberseite des Schornsteins beim Zusammenbau auf dem Ofen: 295 cm
 - Der Schornstein sollte mindestens 100 cm über die Schornsteinöffnung des Zeltes hinausragen, um Funkenschäden am Zelt zu minimieren. Je nach Zeltmodell benötigen Sie möglicherweise zusätzliche Schornsteinteile (separat von Savotta erhältlich):
 - FDF 10 - keine zusätzlichen Kaminstücke erforderlich
 - FDF 10-JSP - erfordert ein zusätzliches Kaminstück
 - FDF 20 - erfordert zwei zusätzliche Kaminstücke
 - FDF 20-HQ - erfordert drei zusätzliche Schornsteinteile
 - Hiisi 2 - keine zusätzlichen Kaminstücke erforderlich
 - Hiisi 4 - keine zusätzlichen Kaminstücke erforderlich
 - Hawu 4 - keine zusätzlichen Schornsteinteile erforderlich
 - Hawu 8 - keine zusätzlichen Schornsteinteile erforderlich

Beachten Sie, dass die Abmessungen zwischen einzelnen Öfen und Produktionsläufen leicht variieren können.

Lageröl: Der Ofen wird mit einer leichten Schicht Leinöl geölt, um ihn während des Transports und der Lagerung zu schützen. Dieses Öl muss gemäß den Anweisungen im Freien gereinigt und abgebrannt werden, bevor der Ofen in einem Zelt verwendet wird!

